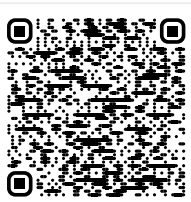


Bagfilter housing BFG-N



[-> to the product](#)



The medium enters the housing by the sideward inlet. All solid matter contamination remains in the filter bag and the cleaned filtrate leaves the housing by the outlet in the bottom.

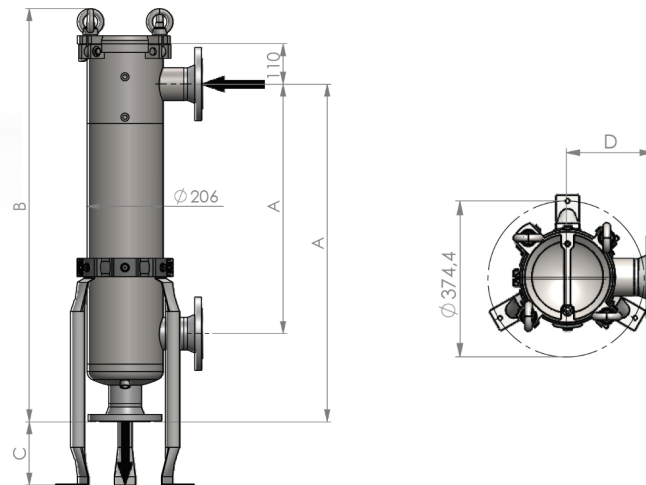
BFG-N filter housings feature a stable construction and the user friendly cast lid. The fastening of the lid is accomplished by four eye bolts with ring nuts.

The housing offers the possibility of mounting an differential pressure indicator (threaded holes 1/4" can be added optionally).

The surface of the housing is glass bead blasted.

As an alternative to the filter bags we can offer [MHF high flow filter cartridges](#) with a larger filtration area and better retention rate.

For more options: [Data Sheet Accessories Bagfilter housing](#)



Type	A	B	C	D
BFG-N-1S-IG2	530	736	205-455	142
BFG-N-2S-IG2	880	1086	0-455	
BFG-N-1S-DN50	556	762	0-430	210
BFG-N-2S-DN80	920	1126	0-415	
BFG-N-2S-DN50-SU	680	1044	0-270	
BFG-N-2S-DN80-SU				

Technical data

Material:	V2A: Stainless Steel 1.4408 / 1.4301 V4A: Stainless Steel 1.4408 / 1.4404
Working pressure:	0 to +10 bar
Working temperature:	+5 to +80°C
In-/Outlet:	Flange DIN 1092-1 DN50, DN80 2" female thread DIN ISO 228 G/BSPP
Drain:	1/2" female thread DIN ISO 228 G/BSPP
Vent:	1 x 3/8" female thread DIN ISO 228 G/BSPP with lowering 1 x 1/4" female thread DIN ISO 228 G/BSPP
Flow rate:	max. 18 m ³ /h* (For size 1 or connection IG2") max. 35 m ³ /h* (For size 2 and connection DN80)
Seal:	EPDM (FDA), Buna, Viton, Viton Teflon encaps.
Filtration area:	0,25 m ² (Size 1) 0,5 m ² (Size 2)
*Depending on the micron rating of the bag	
Manufactured acc. to the pressure equipment directive (2014/68/EU) article 4, par 3	

Option threaded holes for differential pressure indicator	None
	Front/Entrance left
	Front/Entrance right
	Front/Entrance left incl. MAG
	Front/Entrance right incl. MAG

MAG is the MTS differential pressure indicator

Order information

BFG-N- - - -

Size	Material	Connection	Material
1 0,25 m ²	S V2A	IG2 Female thread 2"	Standard
2 0,50 m ²	F V4A	DN50 Flange DN50 DN80 Flange DN80	SU Laterally among each other

Order example: BFG-N-2S-IG2

Example for:
„Threaded holes for differential pressure indicator“
Option: „Front/Entrance left“